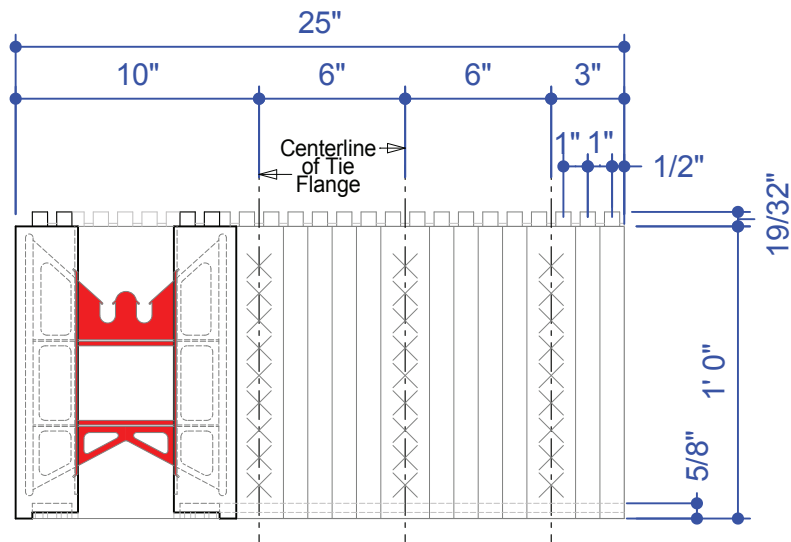


4" Block 90° Corner - Top View



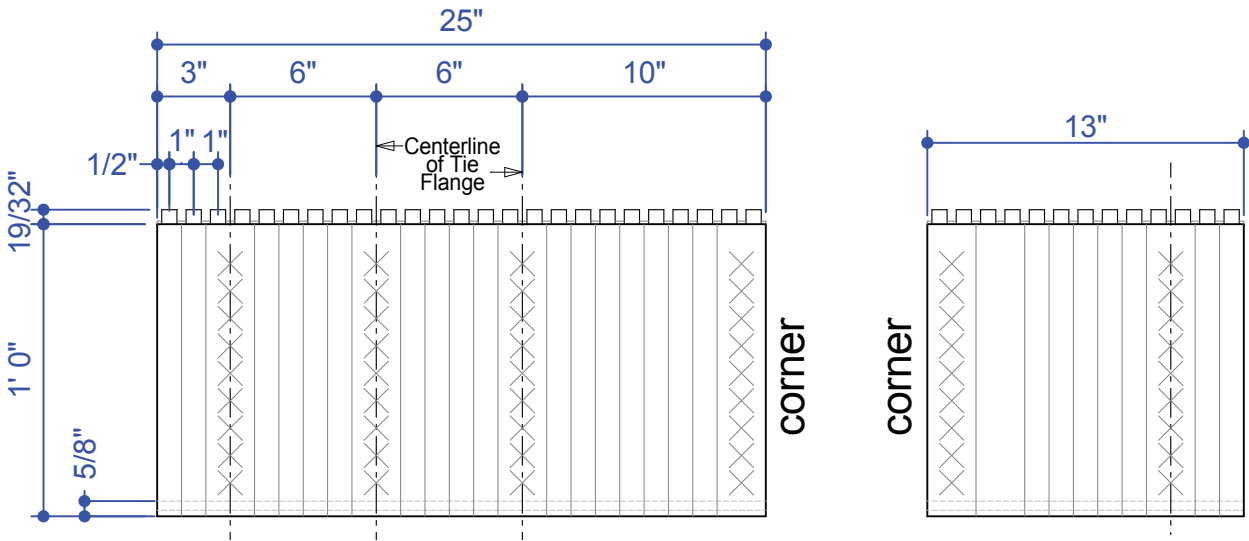
4" Block 90° Corner  
Inner Corner Side & End Views



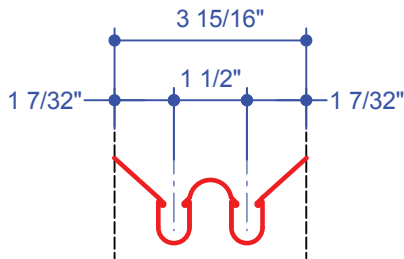
P 877.627.3555 E info@superformicf.ca [superformicf.ca](http://superformicf.ca)  
Box 2696, 1065 Willow Street, Pincher Creek, AB T0K 1W0

## 4.0" 90° Corner Block

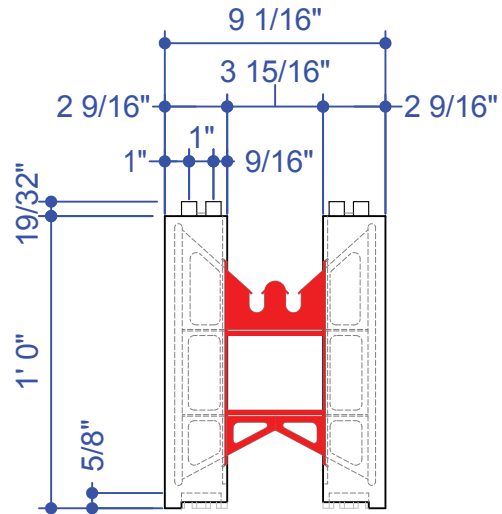
Drawn By: Laura Trent | Date: March 2012 | Pg No: 1 of 2 | DWG No: 1.4.2  
Copyright © Superform Products Ltd. 2019



4" Block 90° Corner  
Outer Corner Side Views



4" Typical Tie Detail  
Scale 2:1



4" Corner Block  
Typical Section