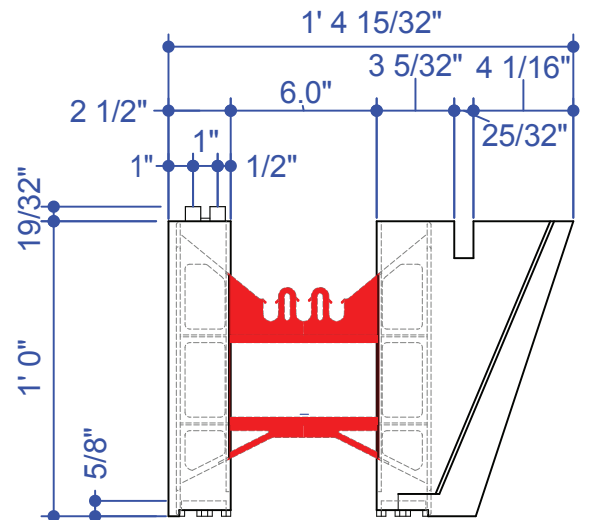
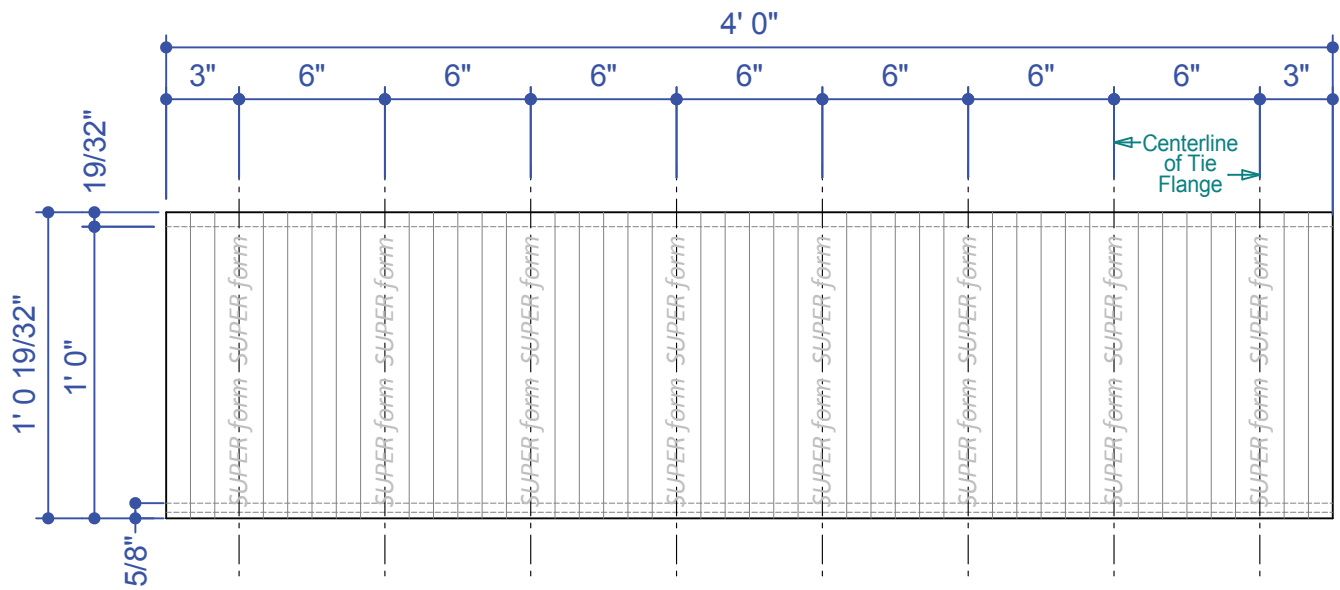


6" Typical Tie Detail

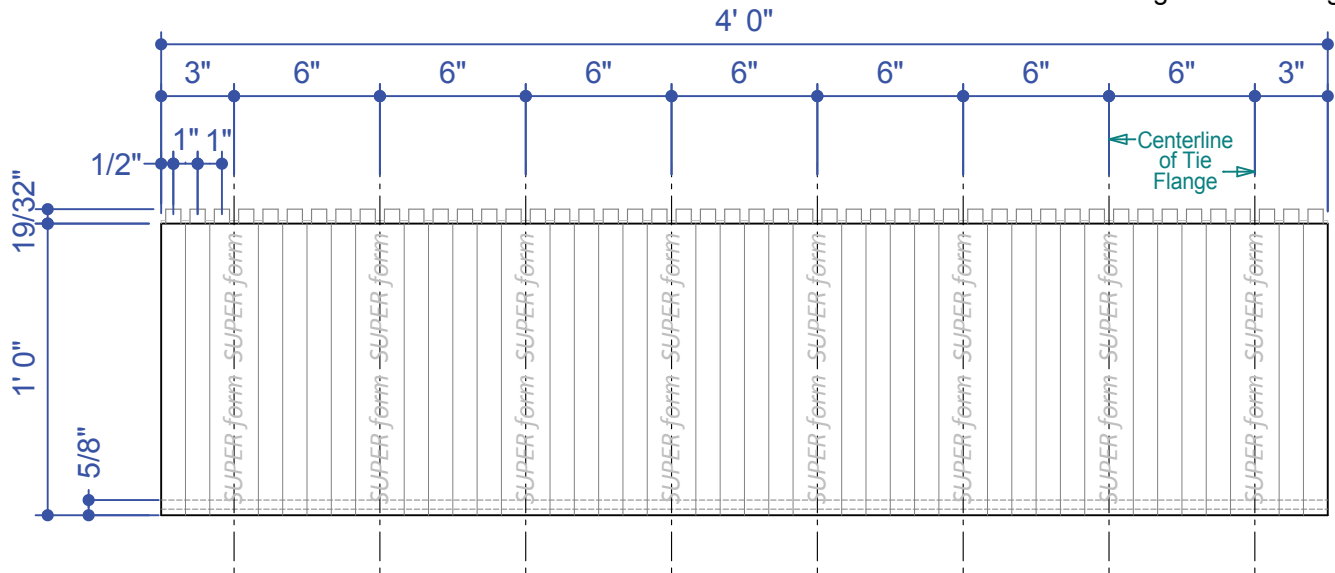
A
1 6.0" Ledge Block
Typical Section





6.0" Ledge Block - Front View

Note : Tie flange Width of 1-3/8" for Fastening behind SF logo



6.0" Ledge Block - Back View



6.0" Brick Ledge Block