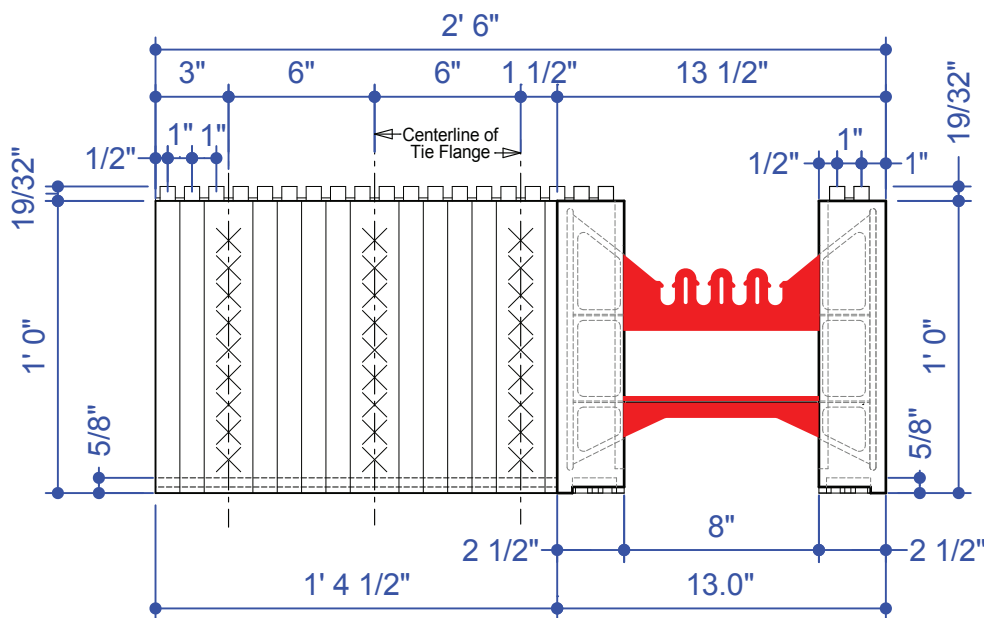
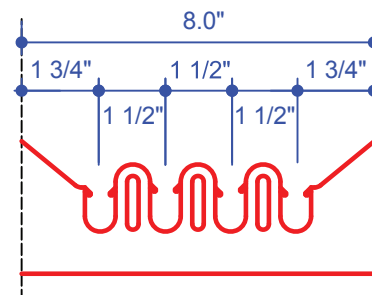


8" T- Block 90° Straight Side Elevation

Note : Tie flange Width of 1-3/8" for Fastening behind X's



8" T- Block 90° Inner Corner Side Elevation & End View



8" Typical Tie Detail Scale 2:1



8.0" T Block